

LOOK TO KEY INTERNATIONAL FOR:

rotary tablet presses • granulators • high shear mixers • homogenizers • suppository systems • single dose preformed plastic cavities • tablet/capsule inspection equipment • tube filling equipment • thermoform-fill-seal systems • ultra-sanitary butterfly valves • tablet hardness testers • electronic checkweighers • capsule polishers • tablet dedusters • horizontal pouch filling systems • tablet counters/fillers • blister packaging equipment • accessory products



BENCH TOP HIGH SHEAR GRANULATOR/MIXER MODEL KG-5



The KG-5 is a cost effective, state-of-the-art, bench top granulator/mixer. Because it offers ease of use, excellent operational flexibility and is patterned after pilot and production units, it is unsurpassed for determining process feasibility in the laboratory. The KG-5 offers superior capability, flexibility and service life as compared to commercial food processor and blender type units. It is better suited to the processing of small batch sizes of expensive and/or scarce material than larger, multi-purpose units.

SPECIFICALLY DESIGNED FOR THE R & D LABORATORY

- PLC CONTROL SYSTEM.
- COLOR TOUCH SCREEN OPERATOR INTERFACE.
- AUTOMATIC AND MANUAL MODES ALLOW EASY MONITORING AND CONTROL OF ALL PROCESS PARAMETERS.
- STANDARD PRINTER OUTPUT FOR RECORDING RECIPIES AND PARAMETERS FROM AUTOMATIC OPERATIONS.
- QUICK RELEASE COMPONENTS TO FACILITATE CLEANING.
- VALIDATION PACKAGE (IQ, OQ, CALIBRATION PROTOCOL, CERTIFICATION DOCUMENTATION TO NIST STANDARDS).
- COMPLETELY MANUFACTURED IN U.S.A.

DESIGNED TO OPTIMIZE RESULTS FROM SMALL BATCH QUANTITIES

UNIQUE CAPABILITIES

- Duplicates the dynamic mixing patterns of pilot and production sized equipment.
- Offers process repeatability via recipe capability.
- Generates meaningful data for determining product performance and behavior in a high shear environment.
- Offers operational flexibility for duplicating medium to high shear dry mixing or wet granulation processes.

KEY INTERNATIONAL, INC.

480 Rt 9 • Englishtown, NJ 07726 • USA • Phone: (732) 536-9700 • Fax: (732) 972-2630
Web: <http://www.keyinternational.com> • E-Mail: sales@keyinternational.com



BENCH TOP HIGH SHEAR GRANULATOR/MIXER MODEL KG-5 (series IV)

TOUCH SCREEN OPERATOR CONTROL PANEL



Full color LCD touch screen operator interface which displays all time and speed functions for the main impeller, chopper and liquid addition system. The touch screen is dust and water resistant. The KG-5 can be operated in manual mode in which the operator selects and changes the speeds and run times. In automatic mode a recipe can be entered and run automatically. Upon completion of the automatic operation, all operational parameters are displayed and can be printed out via a serial port to the customers PC.

SPECIFICATIONS:

MAIN UNIT:

- Five (5) liter total volume with approximately 2.4 liter working capacity.
- Stainless steel construction.
- High visibility clear impact resistant cover.

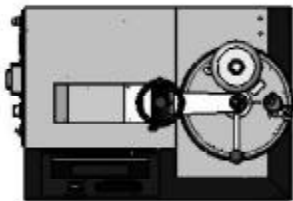
MAIN IMPELLER:

- Stainless steel three (3) blade design, mirror polished.
- Stepless variable speed 0 - 750 RPM.

OPTIONS:

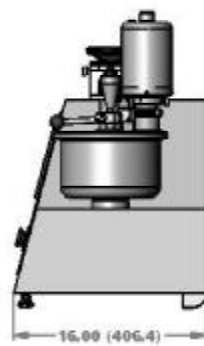
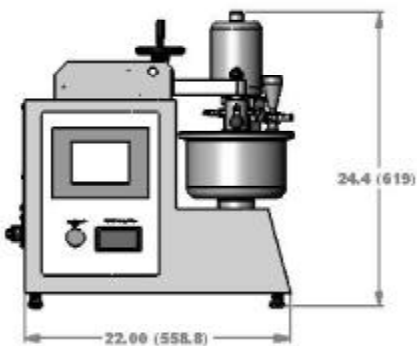
Variable Speed Chopper Variable speed (0-10,000 RPM) telescopic (adjusts up and down) chopper with removable blades. Vertical or horizontal mounting depending upon bowl design.

Liquid Addition System Telescopic spray wand attached to a variable rate metering pump. Quick connect fitting for attaching to bowl cover. Stainless steel construction.



DIMENSIONS SUBJECT TO CHANGE

DIMENSIONAL DATA



POWER SPECIFICATIONS:

Unit is designed to operate on a standard 15 amp, 120 volt outlet. Main Impeller motor, 1HP, D/C, 1750 RPM, 120V A/C = 11.5 FLA Chopper motor, 1/5 HP, D/C, 10,000 RPM, 120V A/C = 1.7 FLA
Control circuit = <1 FLA

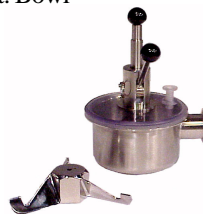
Tulip Shaped Bowl (3 lt.)

2.3 lt. working capacity 316 S.S. bowl with mirror polished interior surface. Fitting for side entry chopper, chopper blade adaptor and small diameter lid.



1 lt. Bowl

0.72 lt. working capacity 316 S.S. bowl. Consisting of bowl, impeller, lid, chopper shaft and lid retainer.



Jacketed Bowl

2.4 lt. working capacity 316 S.S. bowl. Hot water system with recirculation pump and digital temperature control. Water inlet and outlet through flexible tubing with quick disconnects. Water temperature range ambient to 90°C.



KEY INTERNATIONAL, INC.