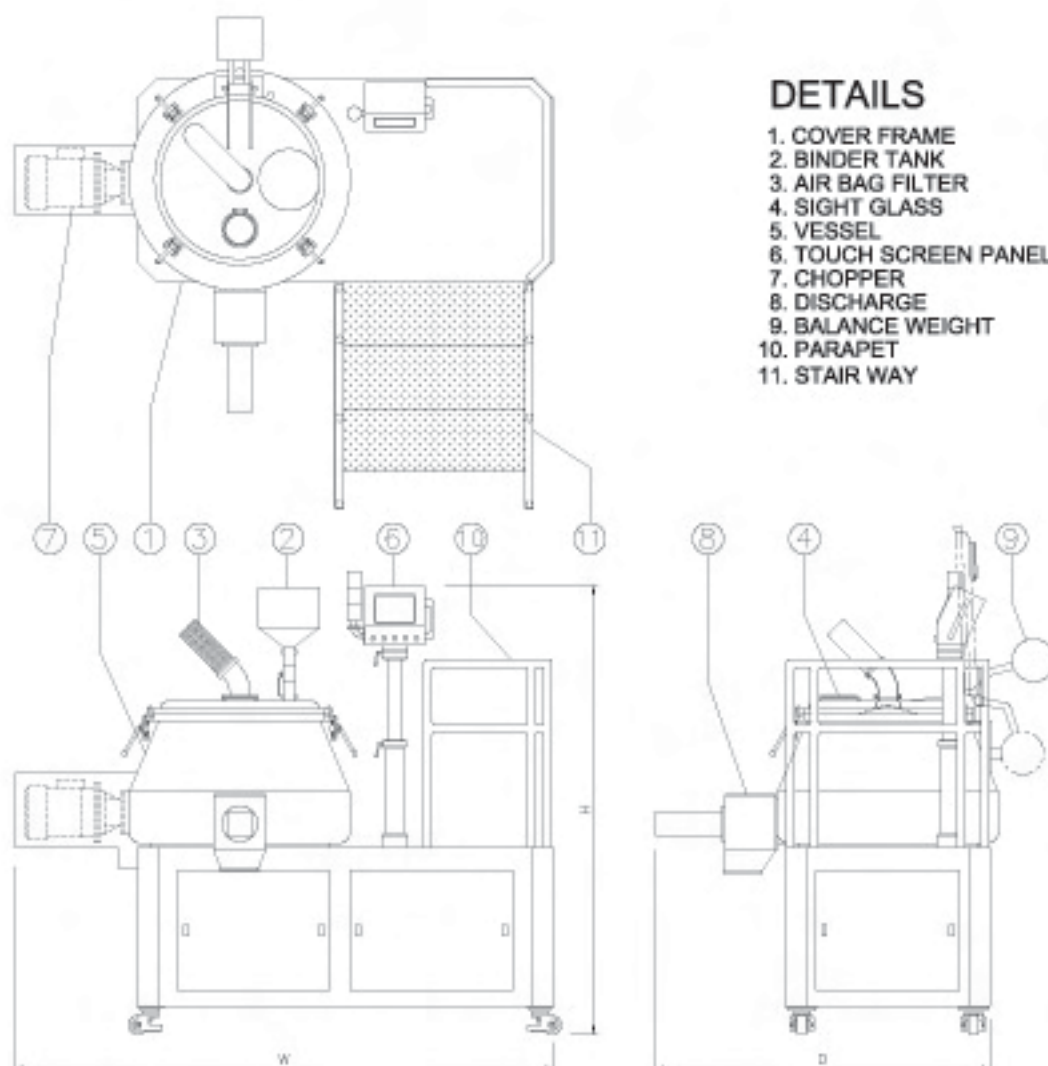


DIMENSIONS



DETAILS

1. COVER FRAME
2. BINDER TANK
3. AIR BAG FILTER
4. SIGHT GLASS
5. VESSEL
6. TOUCH SCREEN PANEL
7. CHOPPER
8. DISCHARGE
9. BALANCE WEIGHT
10. PARAPET
11. STAIR WAY

SPECIFICATION AND TECHNICAL REFERENCE

MODEL NAME	SM-5	SM-15	SM-50	SM-100	SM-200	SM-300	SM-400	SM-500	SM-600	
Full Cap'y(ℓ)	11	30	120	240	455	670	850	1,050	1,280	
Work Cap'y(ℓ)	5	15	50	100	200	300	400	500	600	
Agitator	Drive motor(Kw)	1.5	4.0	7.5	11.0	15.0	22.0	30.0	37.0	45.0
	Speed(r.p.m)	0-120	0-350	0-350	0-120	0-120	0-105	0-90	0-80	0-75
Chopper	Drive motor(Kw)	0.75	2.2	4.0	5.5	7.5	11.0	11.0	11.0	11.0
	Speed(r.p.m)	0-3400	0-3,400	0-3,400	0-3,400	0-3,400	0-3,400	0-3,400	0-3,400	0-3,400
Dimension	W	1,140	1,520	1,850	2,250	2,520	2,760	2,920	3,080	3,500
	D	500	1,035	1,230	1,450	1,730	1,850	1,920	2,000	2,200
	H	1,000	1,834	1,800	2,150	2,250	2,200	2,250	2,350	2,650

The above specification can be subject to be changed without notice.