

Packaging Systems

The title "Packaging Systems" is centered in the upper half of the page. The word "Packaging" is in a large, black, serif font, and "Systems" is in a larger, black, serif font. The background behind the text is a semi-transparent white box that overlaps a photograph of industrial machinery.

Since 1970, Hoonga has been persistent in its efforts to supply packaging systems in global markets, keeping up with fast-changing trends and customers needs.

Continuous development and creative thinking enable Hoonga to provide innovative solutions and applications for automatic packaging systems.

Blister Packaging Machine

HM 200R

The background of the lower half of the page is a photograph of a blister packaging machine, model HM 200R. The machine is made of polished metal and is shown in a close-up, angled view. The lighting is dramatic, with a blue tint in the lower portion of the image. The machine's components, including rollers and a control panel, are visible.

HM 200R

It is built with most flexibility to cover current and ever-changing future requirements. The format tool set is designed in lightweight and tool-less changeover of full set in 15-25 minutes. The compact size of machine contributes to the saving of clean room space. Its trouble-less driving system provides high production rate at 200 blisters with 200 punching-cycles per minute.

Industrial PC control system

By application of the latest computer system with color LCD touch panel interface, the production management and easy operation are innovated. Data access level is enabled to classify by ID and password for the security of production and machine itself. Audit trail function makes supervisor maintain the best condition of machine status and check production status by inspecting operation record time stamped. Also, computer system supports the prompt function of self diagnosis and trouble shooting in detail. The fastest format changeover enables by selection of product recorded electric parameters of format via interface just after simple mechanical tool change. Fully automatic operation designed by servo technique and Industrial PC control system allows even your unskilled operator to handle the machine without trouble. Entire manual is saved into the PC system so that operator can refer to it via color LCD touch panel interface conveniently.

Self adjustment indexing

Three separated and individually driven indexing zone are self adjusted by servo technique. Forming and sealing zone have each servo controlled grip and move indexing system. Fast driving section, emboss coding, perforation and punching zone, have also servo controlled rotary indexing system.

Easy and fast format mold changeover

Self adjustment indexing by means of servo technique and tool-less changing design of mold set contributes easy and fast format mold changeover in approx. 15-25 minutes.

Compact floor space

This high output system requires minimum space of clean room. Ergonomic design of this compact machine allows easily accessible electrical and mechanical driving section.

GMP compliant design

Balcony construction with slope bottom, clean and simple composition of functional stations and frameless safety doors give you easy and fast cleaning. It minimizes hidden corner to be accumulated of dust.

Material flexibility

This model covers most of blister packaging materials including poly propylene (PP) of forming all conventional thermo forming materials, PVC, PVC/PVDC, PVC/ACLAR, COC, PET, and also cold forming aluminum materials.

Feeding zone

The complete encapsulation of the product feed chamber from production and driving is free from vapors and minimized cross contamination.

Continuous sealing

Continuous motion of rotary sealing mechanism contributes fast and easy product feeding by simpler and lower cost feeding system than intermittent motion for high output. The additional cooling drum is available just after sealing.



Fast driving zone

Emboss coding, perforation and punching with downing are driven as a single operation unit. Its design shows less spaces and small format mold. This fast driving zone operates max. 230 cycles per minute.

Convenient adaptation to downstream

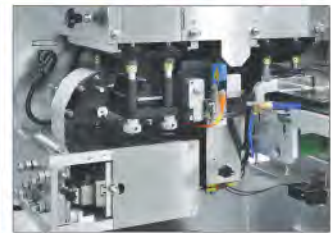
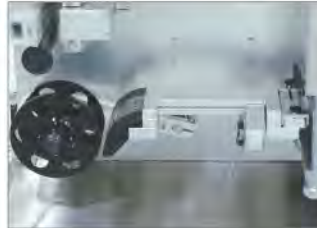
Flexible discharge direction is available straight back or front side of machine. Compact alignment system makes the shortest layout of blister and downstream automation.

Adaptation available on HM 200R

- Various feeding systems as per different products, packaging materials, etc.
- Product feeding elevator from floor level.
- Chamber of feeding zone for closed air control of over and under pressure.
- Dust collection for feeding zone.
- Visual inspection system to detect absence, incomplete shaped and alien product.
- Pin-hole detection system for aluminum cold forming material.
- Print registration control system for the lidding material.
- In-line printer either flexographic or laser printer.
- Coding by ink-jet, laser-jet, etc.
- Bar code reading printed on the lid foil.
- Printer connection to industrial PC.
- Modem connection with industrial PC for remote operation management.
- In-line facilities for downstream automations.



	1
2	3
	5
4	6



1. PVC uncoiler

Forming material axis fixing by means of mechanical chuck with self-centering. Cut and splicing table for fast changeover of new reel of form film. Motorized forming film release controlled by photo sensor. Uniformed pre-heating plates.

2. Self adjustment indexing system

Self adjustment indexing for slow driving zone by means of servo technique with high resolution encoder. It synchronizes in between slow and continuous driving zone, and compensates indexing tolerance caused by shrinkage of forming material.

3. Forming station

Forming station to cover either thermo and/or cold forming. Thermo forming by means of air blowing to cooled mold plate. It contributes the best material flexibility till poly propylene (PP) by special forming mold. Cold forming by means of plug assist mechanism.

4. Continuous sealing station

Continuous sealing operation with rotary indexing and cooling drum. The continuous operation contributes fast product feeding speed.

5. Fast driving zone

Fast driving zone, stations of emboss coding, perforation and die punching with downing. Self adjustment indexing for fast driving zone by means of sensor and roller servo motor controlled. It also synchronizes in between continuous driving and fast driving zone.

6. Color LCD touch panel

Color LCD touch panel interface enables operators and engineers to access not only operation buttons but also all operation parameters of each the mold set, trouble shooting as per self diagnosis, referring to manual book, audit trailed records, etc.



*Fitting inconstant production schedule,
Highly effective productivity,
Absolute production management,
Simplest operation required,
Conformity to advanced GMP directive
On compact floor space.*

ISO 9001: 2000 / ISO 14001



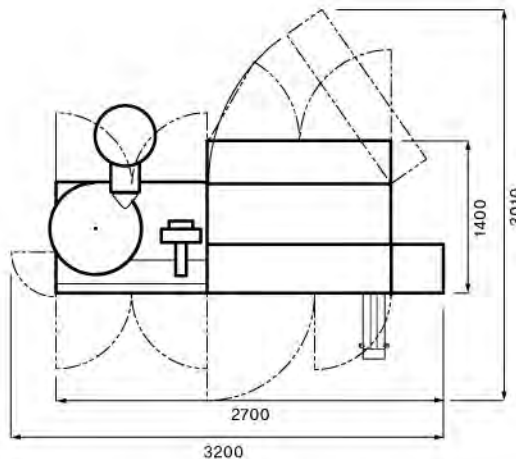
Feature of line-up, HM 200R and HANA 300, Continuous Motion Horizontal Cartoning Machine at maximum output of 300 cartons per minute.

TECHNICAL DATA

HM 200R

Output	max. 200 blisters/min in single lane	
Operation speed	Thermo forming	min. 15 ~ max. 60 cycles/min
	Cold forming	min. 15 ~ max. 60 cycles/min
	Punching	min. 50 ~ max. 230 cycles/min
Forming format range	Width	min. 60 ~ max. 150 mm
	Index	min. 30 ~ max. 160 mm
	Depth	max. 12 mm
Punching format range	Width	min. 60 ~ max. 150 mm
	Index	min. 30 ~ max. 100 mm
Packaging material	Forming material	PVC, PVC/PVDC, PVC/ACLAR, COC, PP, PET, Alu forming material, etc.
	Lidding material	Alu-hard/soft, Alu/paper, PP, etc.
Utilities	Electric power connection	380V, 3-phase, 50/60Hz (other voltages available on request)
	Electric consumption	15KVA
	Compressed air pressure	6~8bar in 10% fluctuation
	Air consumption	150 NL/min

Width approx. 1,400 mm
 Length approx. 2,700 mm
 Height approx. 1,700 mm
 Weight approx. 2,000 Kgs



Words and photographs on this catalogues are to help understanding of the machine model only and subject to technical modification without prior notice. The final specification is as per our quotation offered to you exclusively.

USA Distributor:



4 Corporate Drive
 Cranbury, NJ 08512

P: 609-619-3685
 F: 609-619-3686
 sales@keyinternational.com
 www.keyinternational.com

Hoonga

Hoong-A Corporation

Head office / Factory 83-6, Dodang-Dong, Wonmi-Gu, Bucheon, Gyeonggi, Korea (420-803)
 Tel. 82-32-675-1511, Fax. 82-32-675-9200
 Hoong-A America 14111 Freeway Drive, Suite 300, Santa Fe Springs, California 90670, U.S.A.
 Tel. 1-562-407-9317 Fax. 1-562-407-9327
 E - mail sales@hoonga.com
 Home page www.hoonga.com