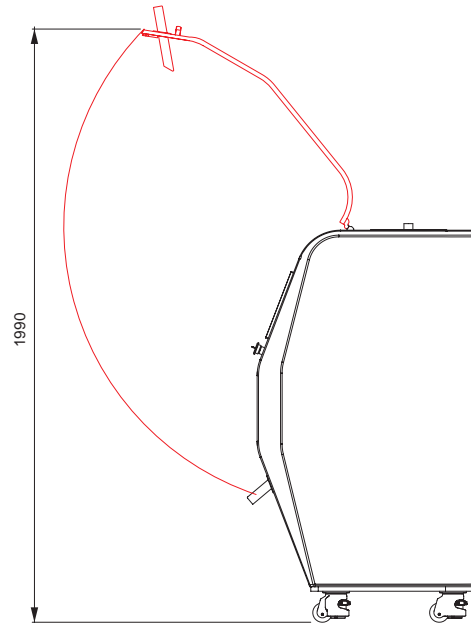
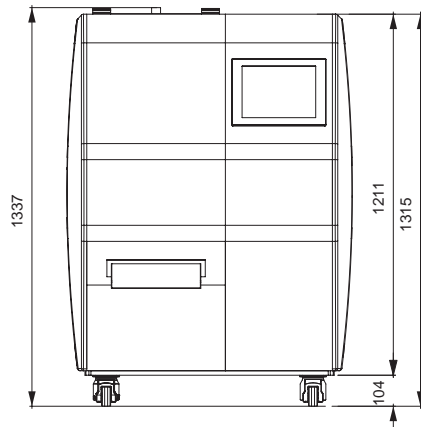
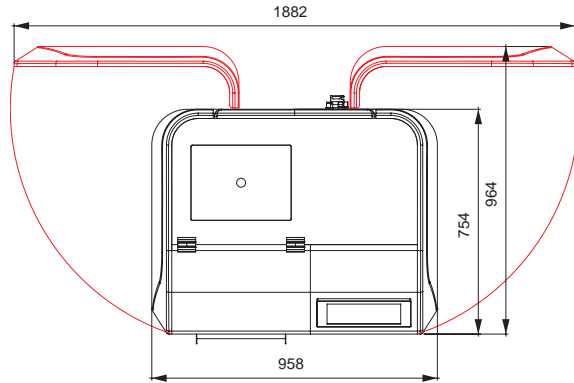


- Output and accuracy may vary depending on circumstance and place.
- Specification is subject to change without prior notice.



Description	Model			
	10	60	120	180
Weight Range (mg)	0 to 1,800			
Max. Output (caps/hour)	10,000	60,000	120,000	180,000
Range of Capsule Size	#000, #00, #0el, #0, #1, #2, #3, #4, #5			
Accuracy (mg)	± 2			
Display Pattern (mg)	0 to 1,800 (Digital Display Type)			
Reject Pattern	2 Way (pass and faulty)			
Alarm Function	Machine stops in case of some errors: door open, motor overloaded, failure in weight cell communication			
Ambient Temperature (°C)	15 to 25 (operating temperature change range: within 1 deg / 1 Hr.)			
Compressed Air (6 Kg · f/cm ² , l/min)	15	25	50	75
Dimension (mm)	Depth (D)			
	754			
	Width (W)			
885				
Height (H)				
1,337				
Weight (kg)	230	300	350	420
Power supply	220 / 380 / 400 / 415 / 440 V, 50 / 60Hz, 3Ph			





63, Annam-ro 402beon-gil, Bupyeong-gu, Incheon, Korea zip.21314
Tel. 032-508-1284 Fax. 032-508-1289

www.sjpmt.com

USA Distributor:



*One Company.
One Source.
Since 1968.*

4 Corporate Drive
Cranbury, NJ 08512

P: 609-619-3685
F: 609-619-3686
sales@keyinternational.com
www.keyinternational.com